



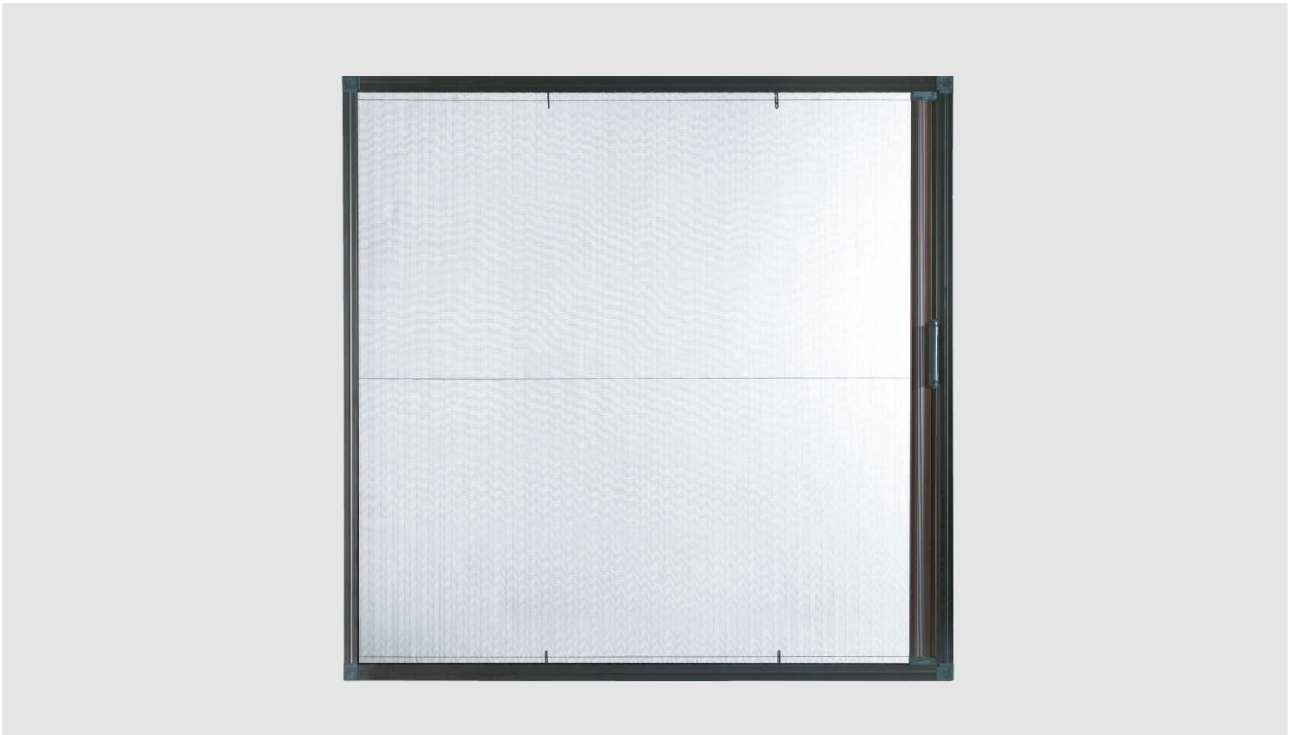
RELIABLE
SCREEN SUPPLY

STANDARD PLEATED RETRACTABLE SCREENS



GOLDEN PIN
DESIGN AWARD

STANDARD PLEATED SYSTEM



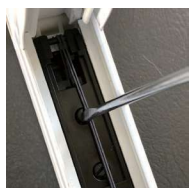
PRODUCT FEATURES

Can be retained in the aluminum panel and fit in all types of windows and doors. Mesh is made with eco friendly materials, it provides clear vision and is highly breathable.

Design allows easy installation and easy maintenance. No need to remove any screws or frames for changing the mesh.



1. Patent Design:
The cord box can be easily detached



2. Cord tension Adjustment:
Better tension of the cords means better performance

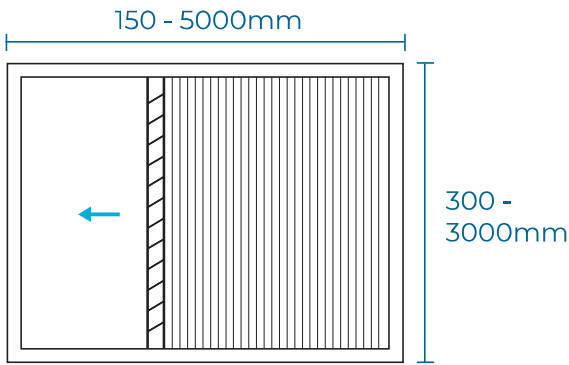


3. Wind hooks:
More wind resistant, prevent from mesh blowing off the track

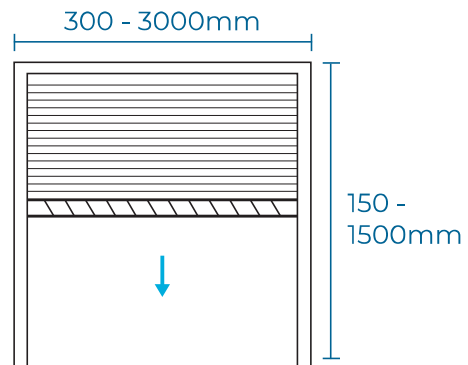


4. Easy Remesh:
Remesh the screen by simply taking out the plastic component

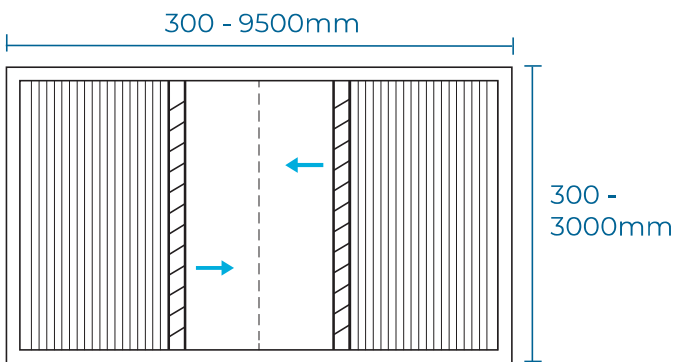
OPENING CONFIGURATION



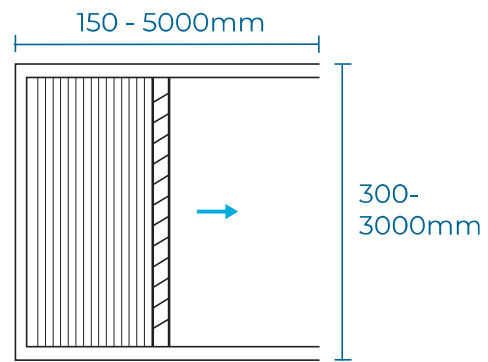
Single Slide



3 Sides Frame Vertical Closing



Double Slides Centre Closing



3 Sides Frame Horizontal Closing

PRODUCT DETAILS

Frame colour options

White / Black / Clear Anodised / Monument
*Custom colour available

Mesh colour options

Black

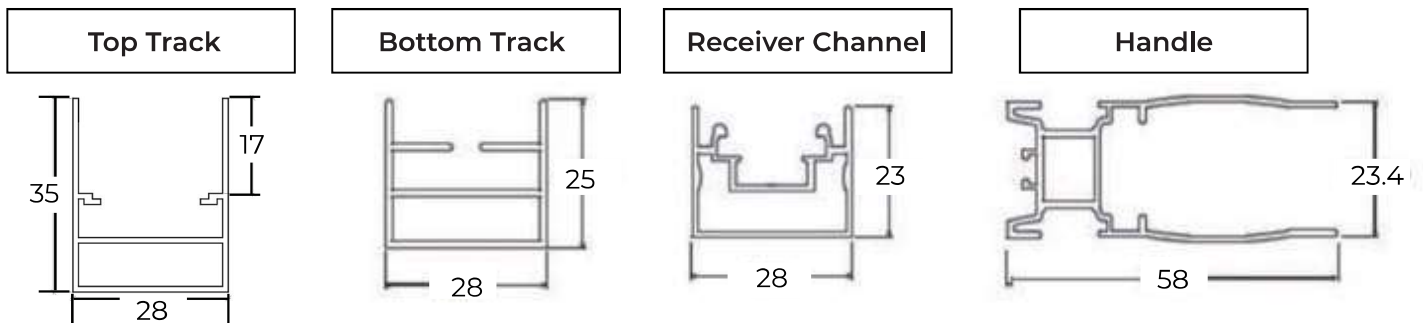
Mesh Material

(PE + PP), Midges proof (3 years warranty)

Frame Material

Powder coated aluminium (5 years warranty)

TECHNICAL SPECIFICATION





RELIABLE SCREEN SUPPLY AUSTRALIA

Email Rssaus1@gmail.com / **Showroom** 14/37 Mortimer Road, Acacia Ridge.
Website reliablescreensupply.com.au / **Facebook** Reliable Screen Supply

RELIABLE SCREEN SUPPLY NEW ZEALAND

Email Office@reliablescreen.co.nz / **Phone** (09) 279 9869
Main office Unit 4, 23 Springs Road, East Tamaki, Auckland