



**RELIABLE**  
SCREEN SUPPLY

# RELIABLE SIMPLICITY SCREEN



AUSTRALIAN MADE

# RELIABLE SIMPLICITY SCREEN



## PRODUCT FEATURES

---

Simplicity Screens can be installed both as a reveal fit or face fit. The mesh is ultra clear, allowing maximum airflow and visibility.

The frame and mesh can be washed with boiling water and is high temperature resistant.

The brush is made from food grade material and is odorless.



1. Patented Design:  
One second easy  
removal for cleaning



2. Self cleaning brush:  
Cleans itself during  
operation.

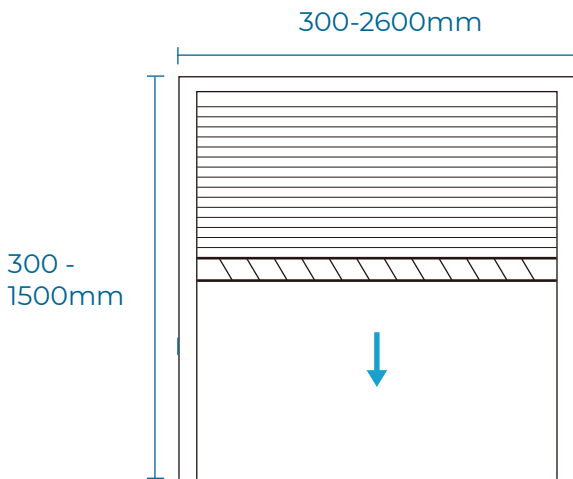


3. Ultra clear visibility

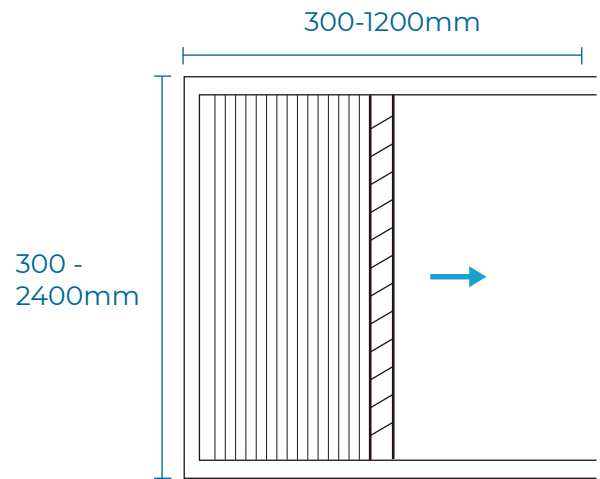


4. Scratch resistant  
mesh

## OPENING CONFIGURATION



**3 Sides Frame Vertical Closing**



**3 Sides Frame Horizontal Closing**

## PRODUCT DETAILS

### Frame colour options

White / Black  
\*Custom colour available

### Mesh Material

(PET), Midge proof (3 years warranty)

### Mesh colour

Black  
\*Blockout available

### Frame Material

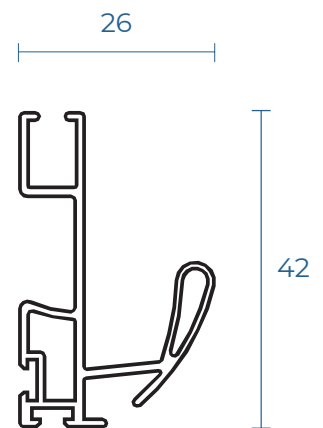
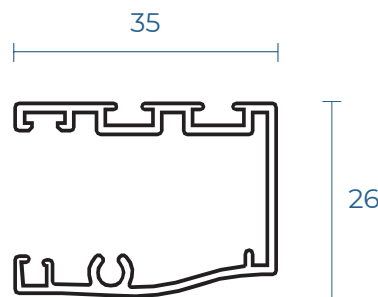
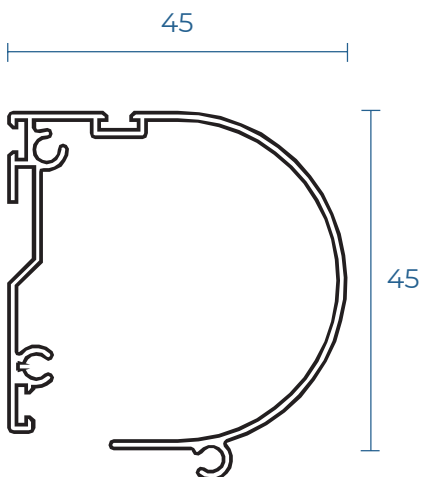
Powder coated aluminium (5 years warranty)

## TECHNICAL SPECIFICATION

Cassette including plastic fitting is 50mm deep

Track profile

Handle profile





**RELIABLE SCREEN SUPPLY AUSTRALIA**

**Email** [RSSaus1@gmail](mailto:RSSaus1@gmail.com) / **Showroom** ~~66 Merivale Street, South Brisbane~~  
**Website** [reliablescreensupply.com.au](http://reliablescreensupply.com.au) / **Facebook** Reliable Screen Supply

**RELIABLE SCREEN SUPPLY NEW ZEALAND**

**Email** [Office@reliablescreen.co.nz](mailto:Office@reliablescreen.co.nz) / **Phone** (09) 279 9869  
**Main office** Unit 4, 23 Springs Road, East Tamaki, Auckland