



**RELIABLE**  
SCREEN SUPPLY

# BARRIER-FREE ROLLER RETRACTABLE SCREENS



**ITALIAN DESIGN**

# BARRIER-FREE ROLLER RETRACTABLE SCREEN



## PRODUCT FEATURES

---

No bottom track which creates a barrier-free space.

The barrier-free design allows easy smooth access for prams, wheel chairs and bicycles.



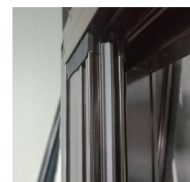
1. Easy access



3. Ultra clear mesh to see through



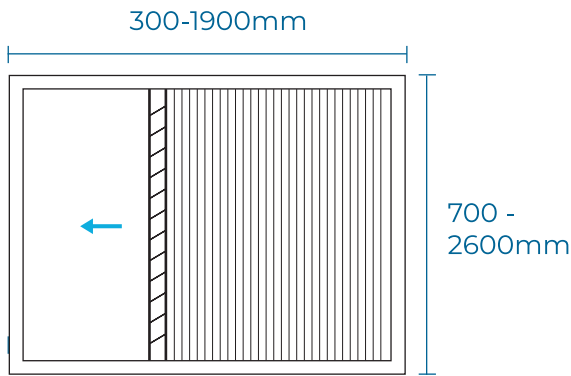
2. Easy to assemble and install



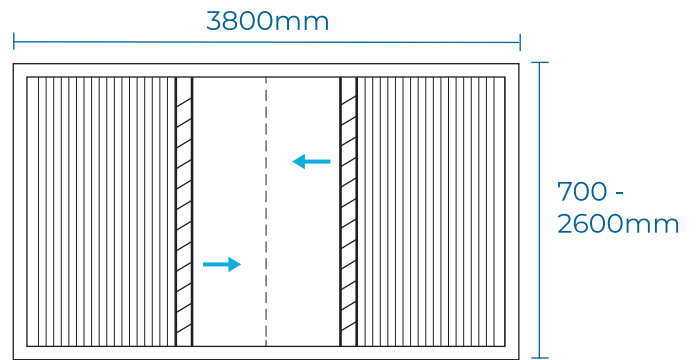
4. Stable gears for a smooth opening and closing

## OPENING CONFIGURATION

Max (1 single panel) width is the screen height minus 100mm, e.g. h2000 – 100 = w1900



**Single Slide**



**Double Slides Centre Closing**

## PRODUCT DETAILS

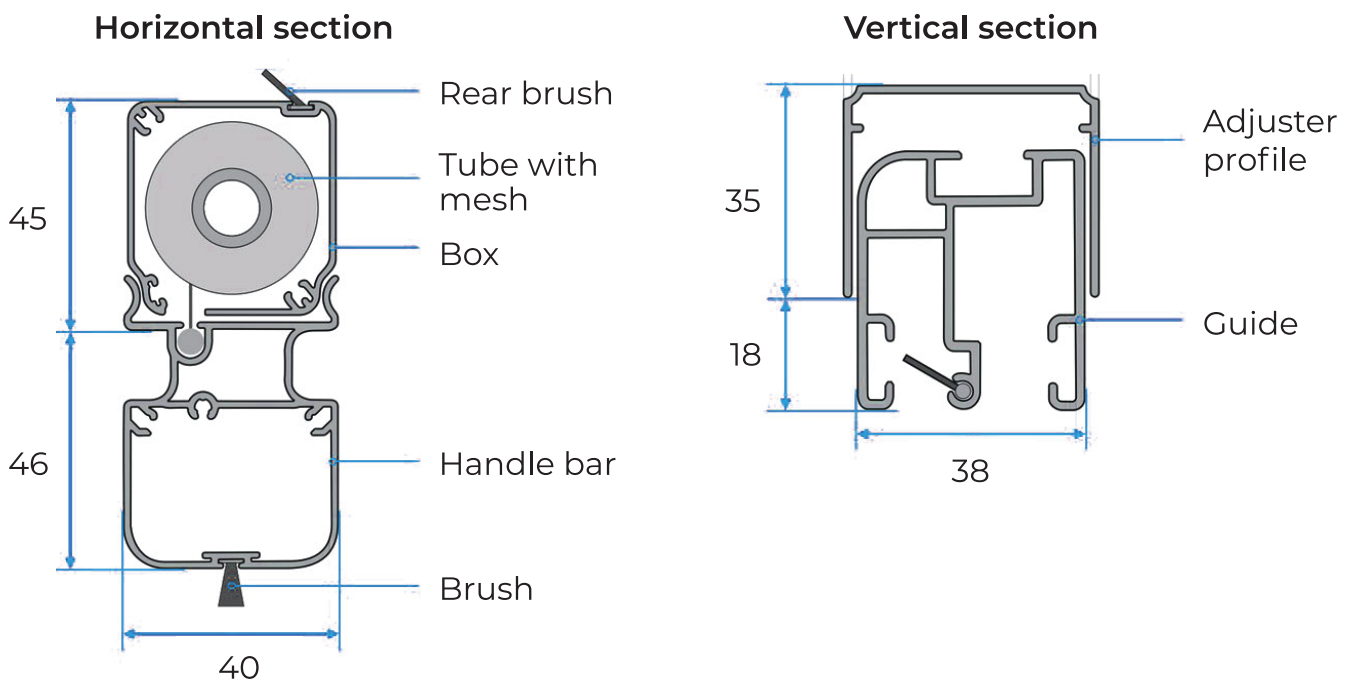
**Frame colour options**  
White / Black / Ironstone

**Mesh colour options**  
Black / Grey

**Mesh Material**  
Fiberglass (3 years warranty)

**Frame Material**  
Powder coated aluminium (5 years warranty)

## TECHNICAL SPECIFICATION





**RELIABLE SCREEN SUPPLY AUSTRALIA**

**Email** [Rssaus1@gmail.com](mailto:Rssaus1@gmail.com) / **Showroom** 14/37 Mortimer Road, Acacia Ridge.

**Website** [reliablescreensupply.com.au](http://reliablescreensupply.com.au) / **Facebook** Reliable Screen Supply

**RELIABLE SCREEN SUPPLY NEW ZEALAND**

**Email** [Office@reliablescreen.co.nz](mailto:Office@reliablescreen.co.nz) / **Phone** (09) 279 9869

**Main office** Unit 4, 23 Springs Road, East Tamaki, Auckland